

forede®

P1: BASIC INSTRUCTION

QLD6.0/8.0III

SELECTABLE FIRE NOZZLE



QUANZHOU FOREDE FIREFIGHTING EQUIPMENT CO.,LTD.

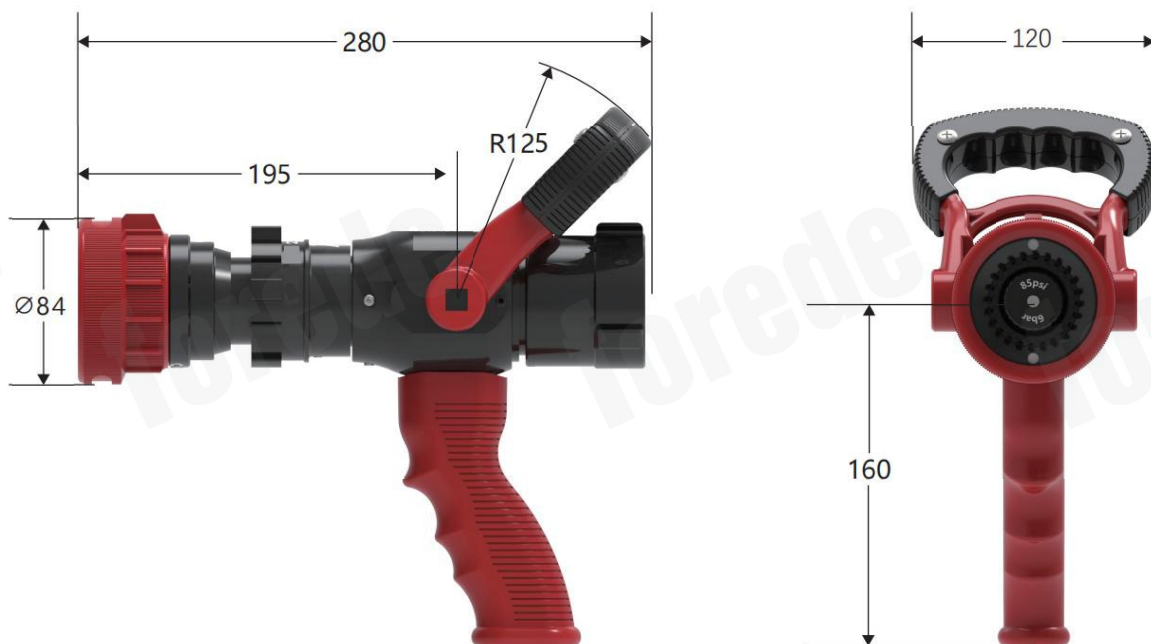
EDITION 0624

NOZZLE DESCRIPTION



- ✓ Pattern indentification;
- ✓ Hard anodized aluminum alloy, Laser engraved;
- ✓ Simple operation(1/4 turn from straight stream to fog);
- ✓ Raised lug marks straight stream for limited visibility operations;
- ✓ Easy to service & repair, high stability;
- ✓ Compatible with quick attach foam aspiration tube;
- ✓ Coupling Standard: Storz,NH, INST, GOST, Machino, etc.

OUTLINE DIMENSIONS



Unit: mm

TECHNICAL SPECIFICATIONS

Weight	2.3Kg (Without Coupling)	Max.Reach	40 m @ 6 bar
Material	Body: Aluminum Valve: Aluminum Handle: ABS Bumper: Rubber	Flow Rate	115 L/M@6bar 230 L/M@6bar 360 L/M@6bar 475 L/M@6bar FLUSH
W.P	85PSI (6 bar)	Inlet Size	1.5", 2", 2.5"
Max.W.P.	360PSI (25 bar)	Coupling	Storz, NH, INST, GOST, Machino,etc.
Max.Fog Angle	120°		

OUTLINE DIMENSIONS



①SS-FOG Pattern: Twist the rubber bumper.

②Flow Rate Adjust: Twist the flow adjust ring to obtain required flow rate.

③Valve Handle: Push the handle forward-valve close; Pull the handle backward-valve open.



forede®

QUANZHOU FOREDE FIREFIGHTING EQUIPMENT CO.,LTD.

NO.278-1, MEITING VILLAGE, MEILIN SUB-DISTRICT
NAN'AN CITY, QUANZHOU CITY
FUJIAN PROVINCE
CHINA

www.forede.com

© Copyright | 06/2024 | FOREDE | Changes and errors expected to admin@forede.com