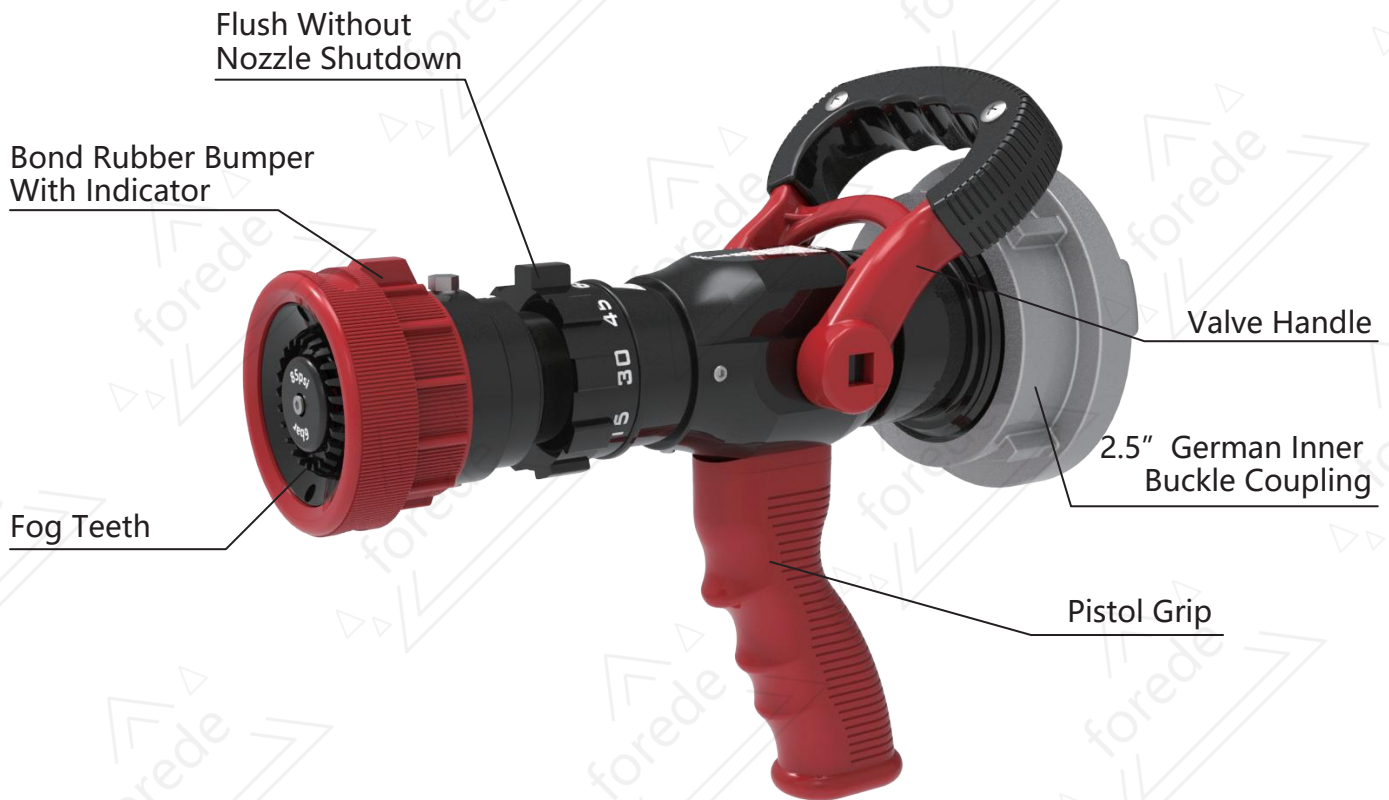




SELECTABLE GALLONAGE FIRE NOZZLE 60L

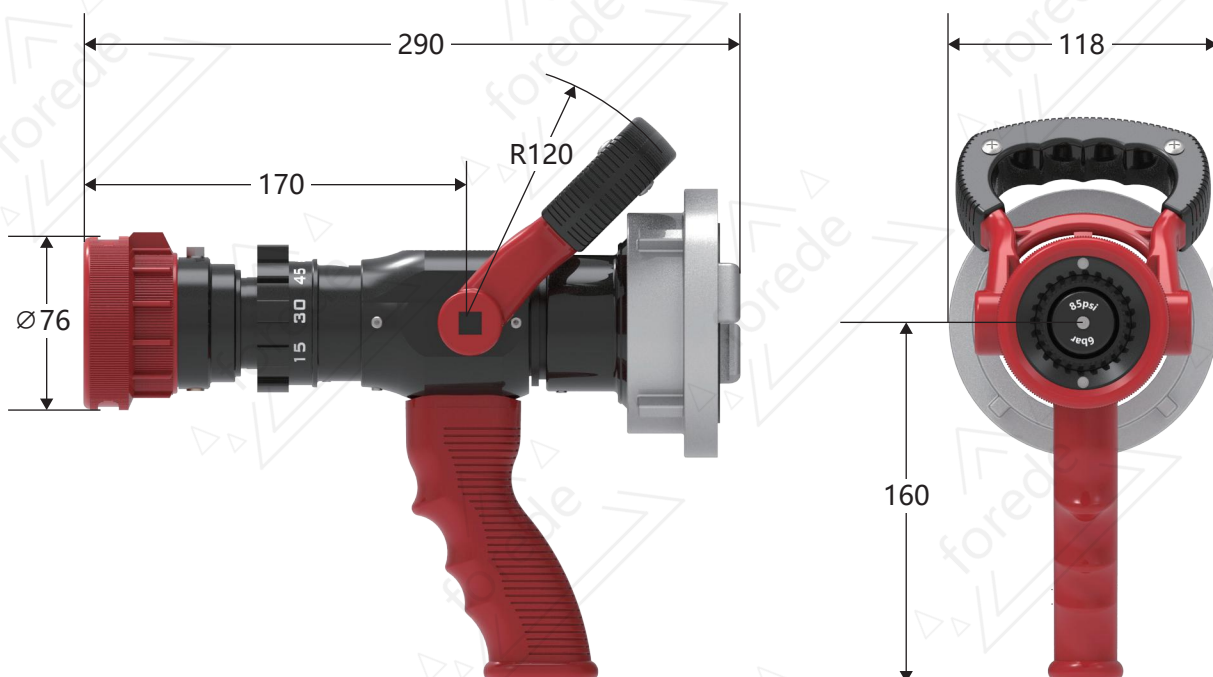
QLD6.0/1.0 III

NOZZLE DESCRIPTION



- Pattern identification
- Hard anodized aluminum , Laser engraved
- Simple to operate (1/4 turn from straight stream to fog)
- Raised lug marks straight stream for limited visibility operations
- Easy to service & repair
- Compatible with quick attach foam tube

OUTLINE DIMENSIONS

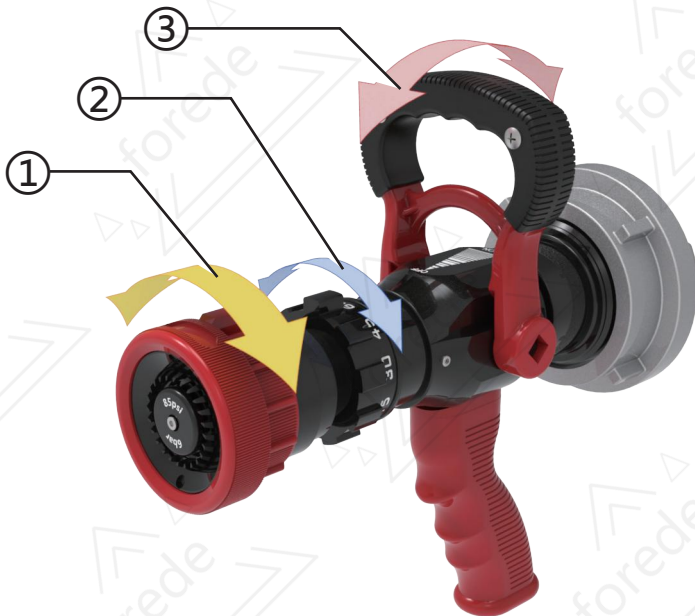


QLD 6.0/1.0 III Fire Nozzle Outline Dimensions (MM)

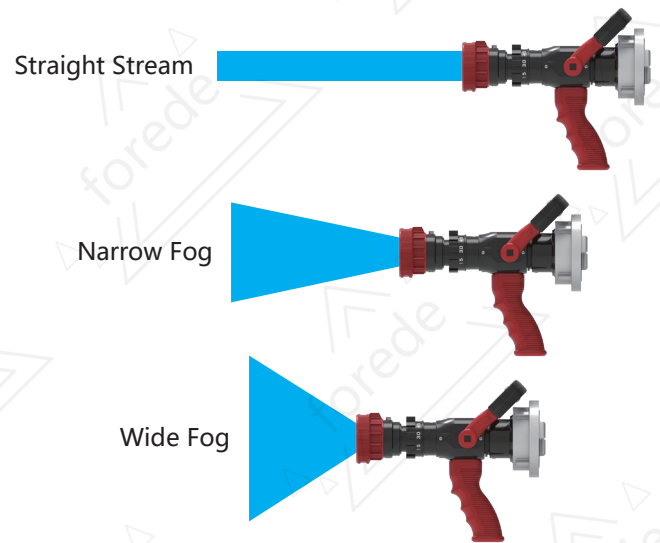
TECHNICAL SPECIFICATION

Weight	1.85 kg	Throw Range	35m @ 6bar
Material	Body: Aluminum Valve : ABS Handle: ABS Bumper: Rubber	Flow Range	15 L/M@6bar 30 L/M@6bar 45 L/M@6bar 60 L/M@6bar
Work Pressure	85PSI (6 bar)	Flush	Flush
Max. Pressure	360PSI (25 bar)	Inlet Size	1" (25mm)
Max. Fog Angle	110°	Coupling	Storz / NH / BSP / INST type etc.

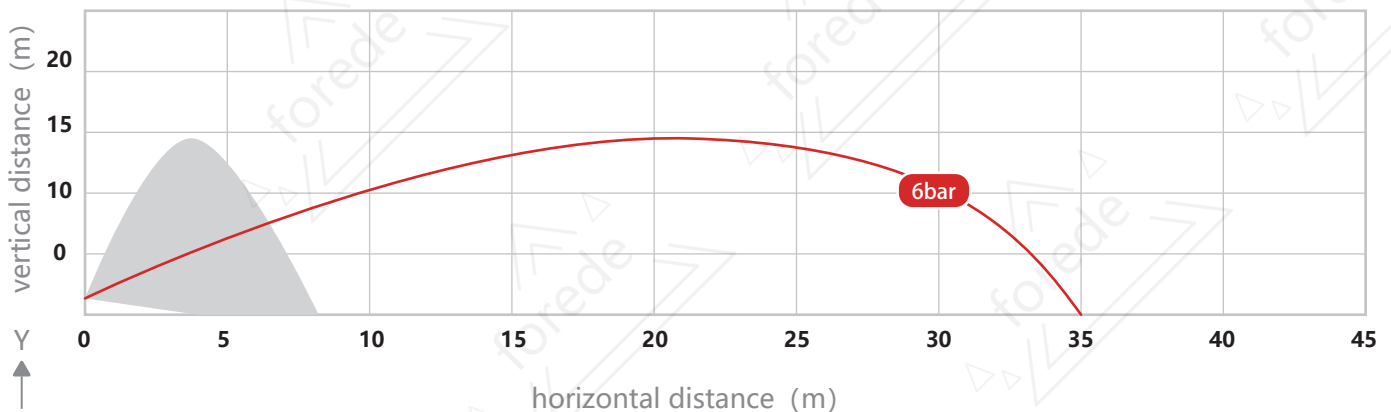
OPERATING INSTRUCTIONS



- ①—SS-FOG Pattern: Twist the rubber bumper
- ②—Flow Rate Adjust: Twist the flow adjust ring to obtain required flow rate
- ③—Valve Handle: Push the handle forward-valve close; Pull the handle backward-valve open



PERFORMANCE CHART



Max. Throw Range 35m (6bar)

Max. Fog Angle 110°